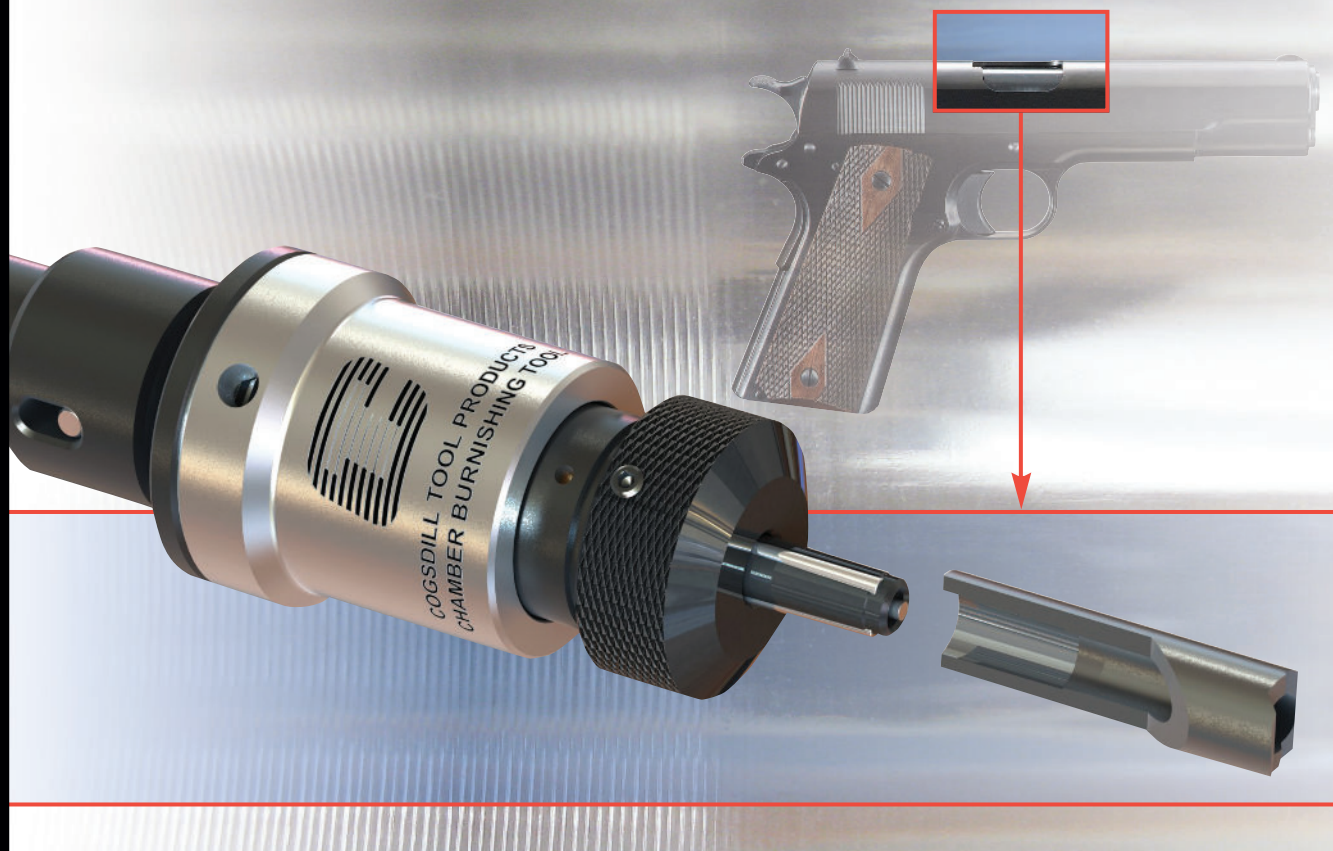


**NEW!**



**COGSDILL TOOL PRODUCTS, INC.**

## ■ Gun Chamber Burnishing **TOOL**



**BEFORE BURNISHING**

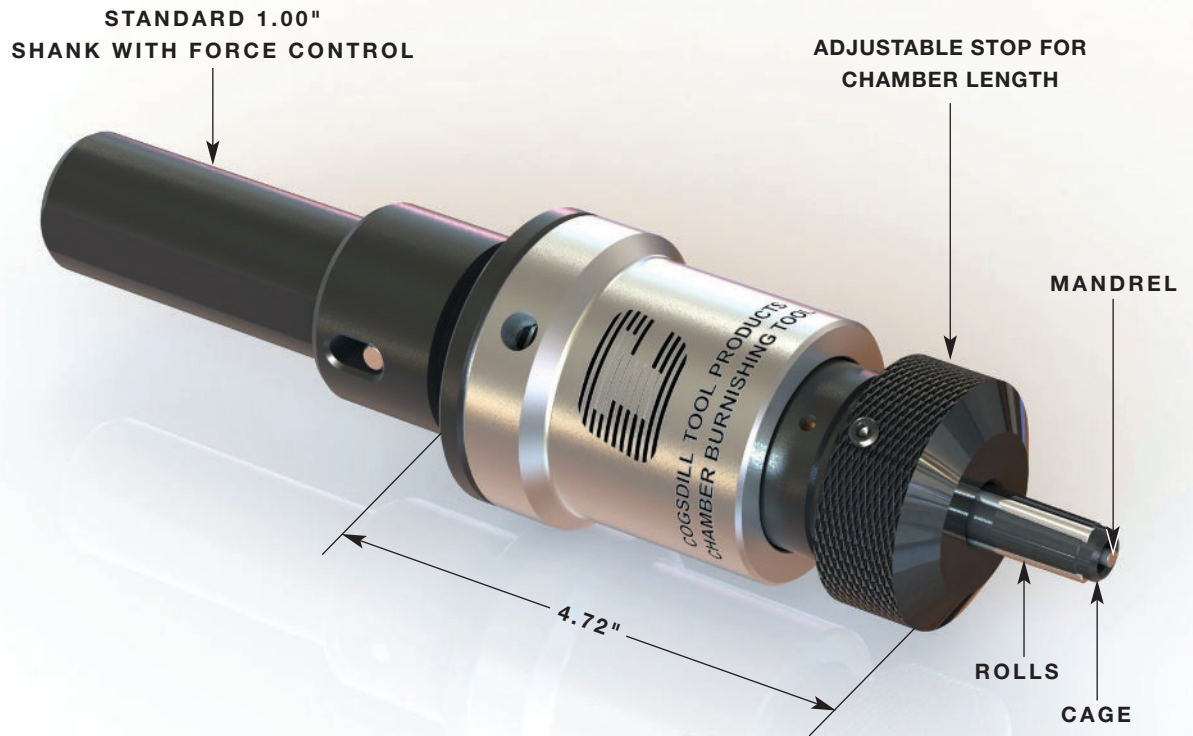
**AFTER BURNISHING**

### **FEATURES & BENEFITS**

- ▶ Create an ultra-smooth chamber finish in one pass in seconds; simply burnish after chamber reaming.
- ▶ Improved chamber quality, spent shell ejection, & loading speed.
- ▶ Fast, easy tool set-up and operation. No special skills required.
- ▶ Versatile – use in any spindle from drill press to CNC machine.
- ▶ Easy to maintain, high quality tooling made by toolmakers.
- ▶ **AFFORDABLE** tools and spare parts readily available from stock.



# Gun Chamber Burnishing Tool



## CALIBERS\* CURRENTLY AVAILABLE

HANDGUN		RIFLE	
CALIBER	TOOL NUMBER	CALIBER	TOOL NUMBER
9mm	CBT-9MM	.223 Remington	CBT-223-REM
.380 auto	CBT-380-AUTO	.243 Winchester	CBT-243-WIN
.38 auto	CBT-38-AUTO	.308 Winchester	CBT-308-WIN
.357 magnum	CBT-357-MAG	.270 Winchester	CBT-270-WIN
.357 Sig	CBT-357-SIG	.30-06 Springfield	CBT-30-06-SPR
.40 S&W	CBT-40-S&W	7mm Remington Mag	CBT-7MM-REM
.45 ACP	CBT-45-ACP	.30-.30 Winchester	CBT-30-30-WIN

\*Contact Cogsdill for availability of other calibers

### COGSDILL TOOL PRODUCTS, INC.

#### Mailing Address

P.O. Box 7007  
Camden, SC USA 29021-7007  
Ph. (803) 438-4000  
Fax (803) 438-5263  
www.cogsdill.com  
cogsdill@cogsdill.com

#### Shipping Address

1001 Guion Drive  
Lugoff, SC 29078

### COGSDILL-NUNEATON LIMITED

St George's Way  
Bermuda Industrial Estate  
Nuneaton, Warwickshire, CV10 7JS, UK  
Ph. +44 (0) 2476 383792  
Fax +44 (0) 2476 344433  
www.cogsdill.co.uk  
sales@cogsdill.co.uk

Visit us online

[www.cogsdill.com](http://www.cogsdill.com)

BROCHURE NO. 503 U.S. 04-16